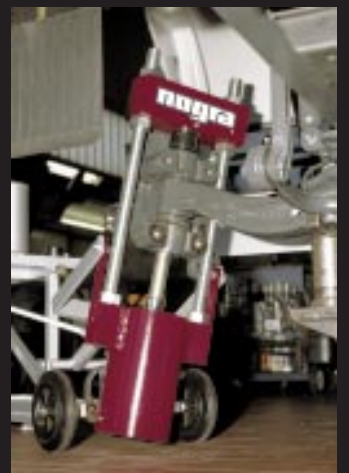




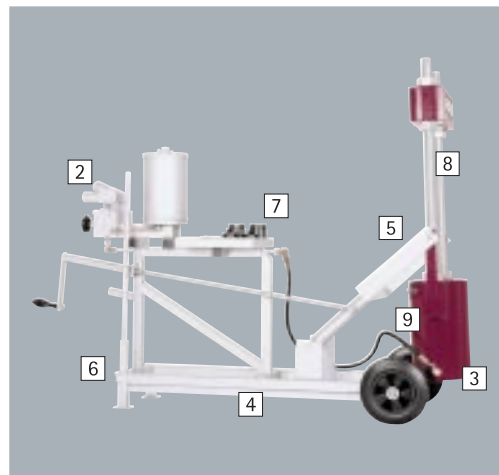
# nograPress

King pin press



**nogra**

# nogra King pin press nograPress



Unlimited freedom The nograPress with SpaceRobot-Hinged fork.

nograPress 65 The mobile all purpose helper for king pins and more.

- 1 SpaceRobot-Hinged fork The solution which places the press in any required position.
- 2 Integrated high pressure pump With two speeds for quick lift and load stroke.
- 3 Hard-chrome plated pump plunger and lifting piston Affords protection against corrosion, is wear resisting and therefore ensures the bolt press a longer life.
- 4 Trolley Enables quick and easy positioning of the press at the vehicle.
- 5 Components are easy to separate Making access with the pump by hand quick and simple.
- 6 Universally applicable For mobile and stationary use, for king pin and other press jobs.
- 7 Fully equipped The standard kit consists of six tools.
- 8 Compact design Provides maximum pressure with minimum effort.
- 9 Integrated spring-return Accelerates the time required to release the pressframe. Supported by extra air supply.

Model	Capacity Stroke		Piston rod bore	Traverse bore	Traverse height max.	Clear width between setbolts	Dimensions			Weight ca.	Order No.
	t	mm					L	B	H		

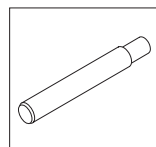
nograPress 65-215	65	125	30	55	500	215	1500	470	960	130	100697
nograPress 65-275	65	125	30	55	500	275	1500	470	960	130	100700

Model	ø	Lenght	Order No.
	mm	mm	

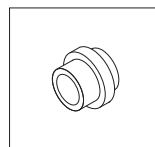
Setbolts	34	220	100691 <sup>1</sup>
	30	220	100692 <sup>1</sup>
	21,5	180	100693 <sup>1</sup>
Press sockets	36, 65		100694 <sup>1</sup>
	45		100695 <sup>1</sup>
	28		100696 <sup>1</sup>

<sup>1</sup> Contained in the standard kit

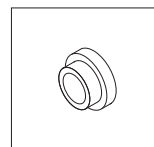
nogra PressPacket No two vehicles are the same, which is why nogra supplies special PressPackets. These are tailor-made to suit the requirements of individual manufacturers. With special tools all possible eventualities are provided for.



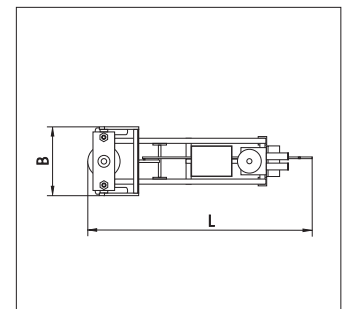
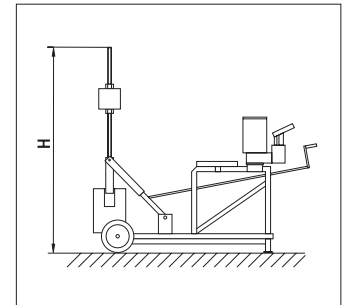
Setbolt



Press socket



Distance plate



nogra GmbH

Hüfinger Straße 57  
 D-78199 Bräunlingen  
 Telefon +49 (0)7 71 8 97 98 73  
 Telefax +49 (0)7 71 8 97 98 74  
 eMail info@nogra.de  
 internet www.nogra.de

